

**Cryocooler** 30W@77K

# TC4382

The TC4382 cryocooler integrates linear compressor with dual opposed gas bearing pistons, and a pulse tube cold finger with dual opposed ambient displacers as the phase shifter. More than 30 W cooling power can be delivered at 77 K tip temperature. It is for applications where the efficiency is one of the key concerns.

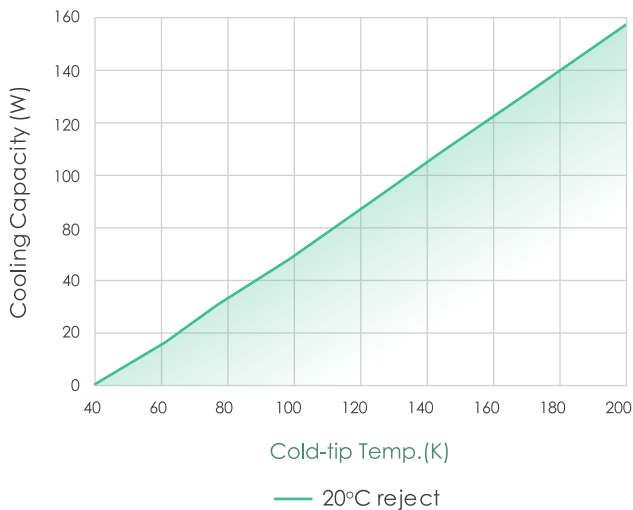


## Features

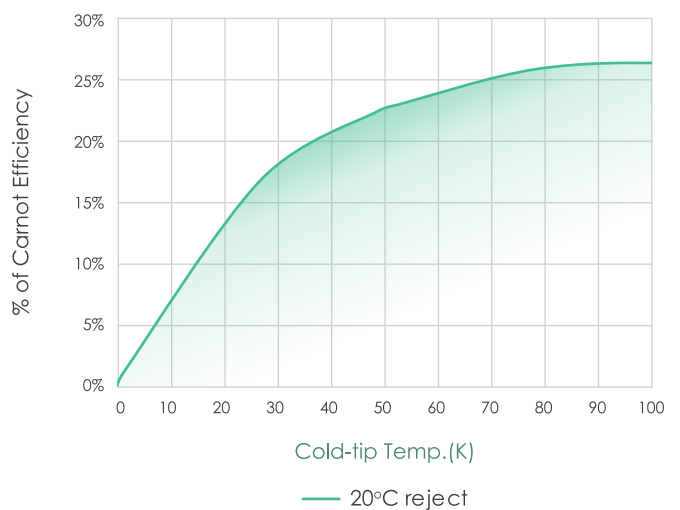
- 1** Dual opposed gas bearing pistons driven by linear motors, high MTTF(>50000 hrs)
- 2** Pulse tube cold finger integrated with dual opposed ambient displacers, acoustic power recovery and high efficiency
- 3** Integral configuration, easy to use
- 4** Motor stator isolated from gas chamber, higher reliability
- 5** Ideal for 24/7 operation

## Typical performance

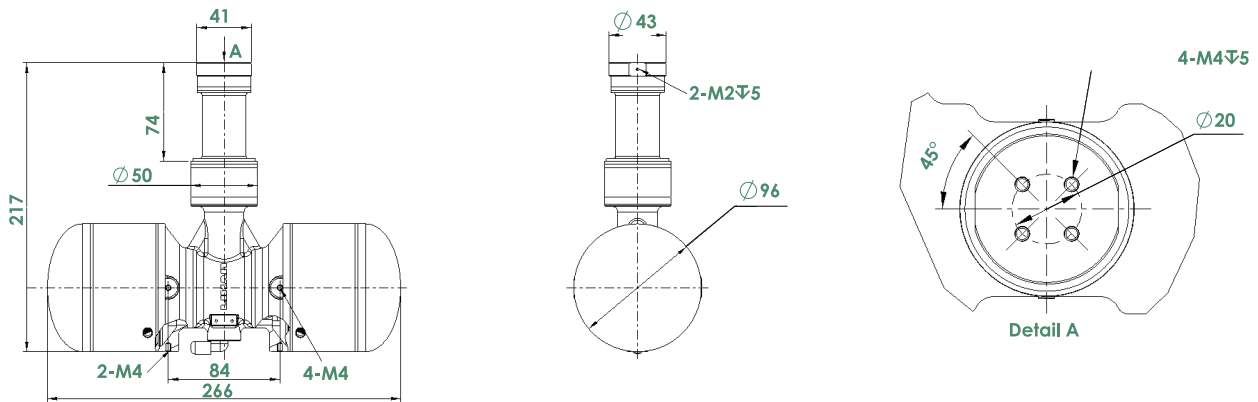
Cooling Capacity vs. Temperature  
420W Input Power



Percentage of Carnot Efficiency  
420W Input Power

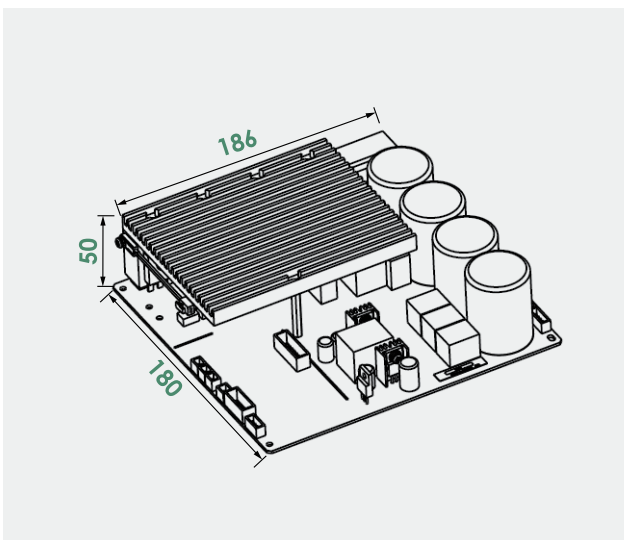


# Specifications and Dimensions



Operating Temperature	-20°C ~ +50°C
Nominal Input Power	420W
Nominal Cooling Capacity (20°C reject)	30W@77K
Max. Cooling Capacity(20°C reject)	35W@77K
Power Supply	220V AC / 110V AC
Lowest Temperature	45K
Weight	7.5kg
Temperature Stability	± 0.1K
Orientation	Any

# Controller



### For more information:

Call : +86 755 26985788

Email : sales@lihan.com

Web : www.lihan.com

Add.: 3/F, Bldg. 4, Pingshan Minqij Industrial Park,  
Lishan Rd., Nanshan, Shenzhen, 518055, China

\*All dimensions in mm. Data subject to change without notice.